

## HDCi® LX3 High Density 3U Patch Panel

An innovative 3U, 19" rack mountable patch panel, designed for use in high density applications. It offers management of up to 432 fibres using MTP® optical cassette modules with 24 fibres each and it's fully compatible with a variety of alternative HDCi® module options. This panel allows advanced cable management, providing an enhanced cable routing exiting the panel to the left or right and allowing cable assemblies to be routed up and across the front of the panel.

The MLX3 HDCi® MTP® modules which are compatible with LX3 panel are designed for the transition between MTP® and standard LC connectors. They have a small form factor design and LX3 panel can house up to 18 MLX3 modules in 1U height. They come with 6 low loss LC quad flangeless adaptors on the front and 2 MTP® on the back side. They contain 100% factory terminated and tested LC to MTP® fanouts.

The combination of LX3 panel and MLX3 cassette modules is an ideal solution for high density applications. Their plug and play design meets all requirements for rapid deployment in high demand data centre environments.

### Applications

- Data centres
- High density applications
- Telecommunication networks
- Enterprise Networks
- Central Offices

### Features

- 3U height
- 19" rack mountable
- Metal construction
- Can house up to 18 MLX3 modules allowing management for up to 432 fibres
- Compatible with multiple HDCi® module options (MTP®, adaptors, etc.)
- Saves installation and reconfiguration time
- MLX3 MTP® cassette modules are 100% factory terminated and tested offering low loss performance

## Specifications

### Patch Panel Specification

ELEMENT	VALUE
Depth (mm)	420mm
Width (mm)	437mm
Height (mm)	132.5mm
Rack Units	3U
Capacity	18 x HDCi® type modules

### MTP® Connector Performance

CONNECTOR MATING	IL AVERAGE	IL MAX	RETURN LOSS
MTP® Elite (MM)	0.10dB	0.35dB	N/A
MTP® (MM)	0.20dB	0.60dB	N/A
MTP® Elite (SM)	0.10dB	0.35dB	>60dB
MTP® (SM)	0.25dB	0.75dB	>60dB

### LC Connector Performance

OPTICAL PERFORMANCE*	MULTIMODE	SINGLEMODE	CONFORMANCE
Insertion Loss	≤0.20dB	≤0.20dB	IEC 61300-3-4
Return Loss	-	≥50dB	IEC 61300-3-4

### Adaptor Performance

DESCRIPTION	CERAMIC	CONFORMANCE
Insertion Loss (Typical)	0.10dB	IEC 61300-3-4
Mating Durability	500	IEC 61300-2-2
Receptacle Retention Force	1N-2.5N	IEC 61754-20
Operating Temperature	-25°C to +70°C, 12 cycles	IEC 61300-2-22

## Standards Compliance

- TIA/EIA-568-C.3 and ISO/IEC 11801 - cable
- IEC-61754-7 & EIA/TIA-604-5 - MTP®
- Compliant to Directive 2002/95/EC (RoHS) and REACH SvHC
- IEC-61754-20 (LC) & IEC-61754-14 (SC)
- IEC-60793

## Ordering Information

### LX3 Patch Panel

DESCRIPTION	PART NUMBER
Datatronix HDCi® LX3 High Density 3U Patch Panel Unloaded	PPLX3-XX-XX-UL-3

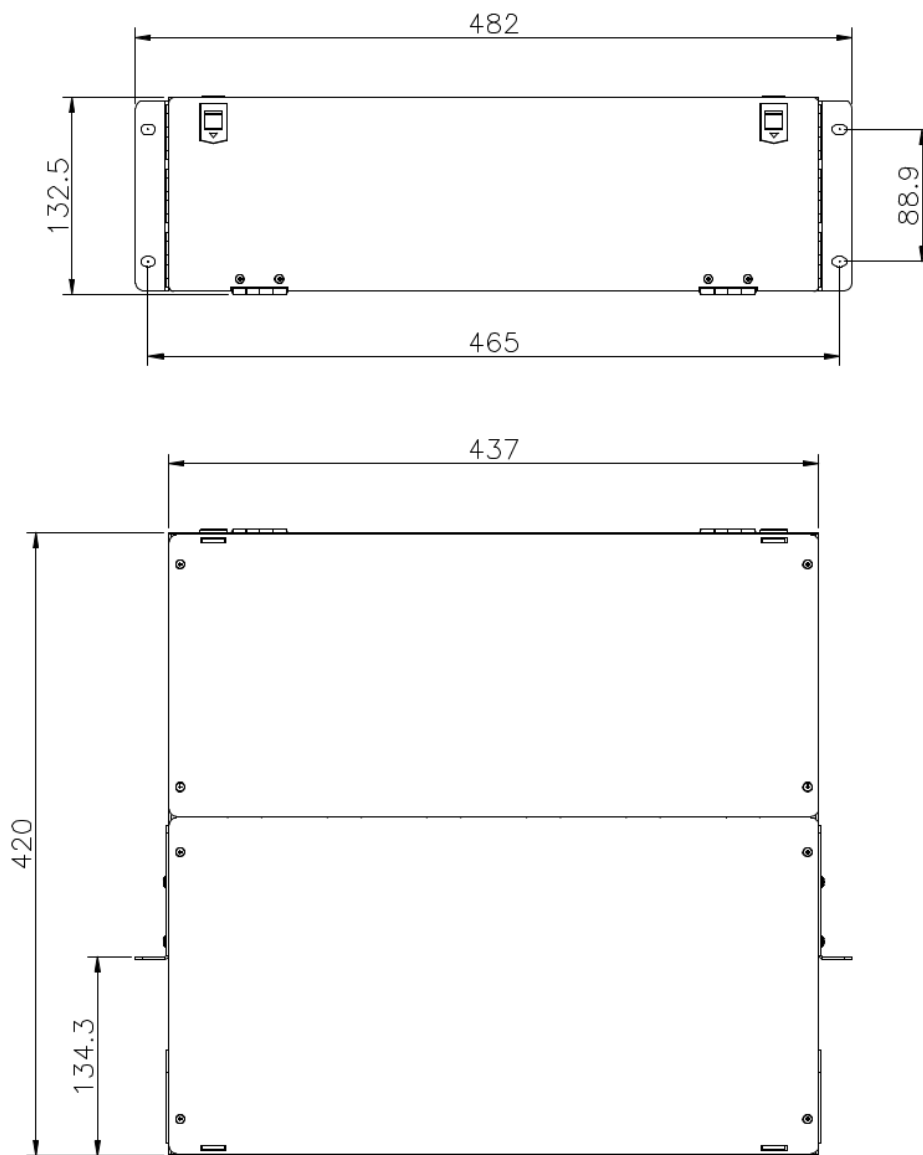
### MLX3 MTP® Cassette Module

DESCRIPTION	PART NUMBER
Datatronix LC to MTP® Male MLX3 HDCi® Cassette Module with 6 LC Quad OM3 Aqua Adaptors Polarity A	MLX3-2000346-A
Datatronix LC to MTP® Male Elite MLX3 HDCi® Cassette Module with 6 LC Quad OM3 Aqua Adaptors Polarity A	MLX3-2400346-A
Datatronix LC to MTP® Male MLX3 HDCi® Cassette Module with 6 LC Quad OM4 Erika Violet Adaptors Polarity A	MLX3-2000446-A
Datatronix LC to MTP® Male Elite MLX3 HDCi® Cassette Module with 6 LC Quad OM4 Erika Violet Adaptors Polarity A	MLX3-2400446-A
Datatronix LC to MTP® Male MLX3 HDCi® Cassette Module with 6 LC Quad SM Blue Adaptors Polarity A	MLX3-2000946-A
Datatronix LC to MTP® Male Elite MLX3 HDCi® Cassette Module with 6 LC Quad SM Blue Adaptors Polarity A	MLX3-2400946-A
Datatronix LC to MTP® Male MLX3 HDCi® Cassette Module with 6 LC Quad SM APC Green Adaptors Polarity A	MLX3-2001946-A
Datatronix LC to MTP® Male Elite MLX3 HDCi® Cassette Module with 6 LC Quad SM Green Adaptors Polarity A	MLX3-2401946-A
Datatronix SC to MTP® Male MLX3 HDCi® Cassette Module with 6 SC Duplex OM3 Aqua Adaptors Polarity A	MLX3-2002326-A
Datatronix SC to MTP® Male Elite MLX3 HDCi® Cassette Module with 6 SC Duplex OM3 Aqua Adaptors Polarity A	MLX3-2402326-A
Datatronix SC to MTP® Male MLX3 HDCi® Cassette Module with 6 SC Duplex OM4 Erika Violet Adaptors Polarity A	MLX3-2002426-A
Datatronix SC to MTP® Male Elite MLX3 HDCi® Cassette Module with 6 SC Duplex OM4 Erika Violet Adaptors Polarity A	MLX3-2402426-A
Datatronix SC to MTP® Male MLX3 HDCi® Cassette Module with 6 SC Duplex SM Blue Adaptors Polarity A	MLX3-2002926-A
Datatronix SC to MTP® Male Elite MLX3 HDCi® Cassette Module with 6 SC Duplex SM Blue Adaptors Polarity A	MLX3-2402926-A
Datatronix SC to MTP® Male MLX3 HDCi® Cassette Module with 6 SC Duplex SM APC Green Adaptors Polarity A	MLX3-2003926-A
Datatronix SC to MTP® Male Elite MLX3 HDCi® Cassette Module with 6 SC Duplex SM Green Adaptors Polarity A	MLX3-2403926-A

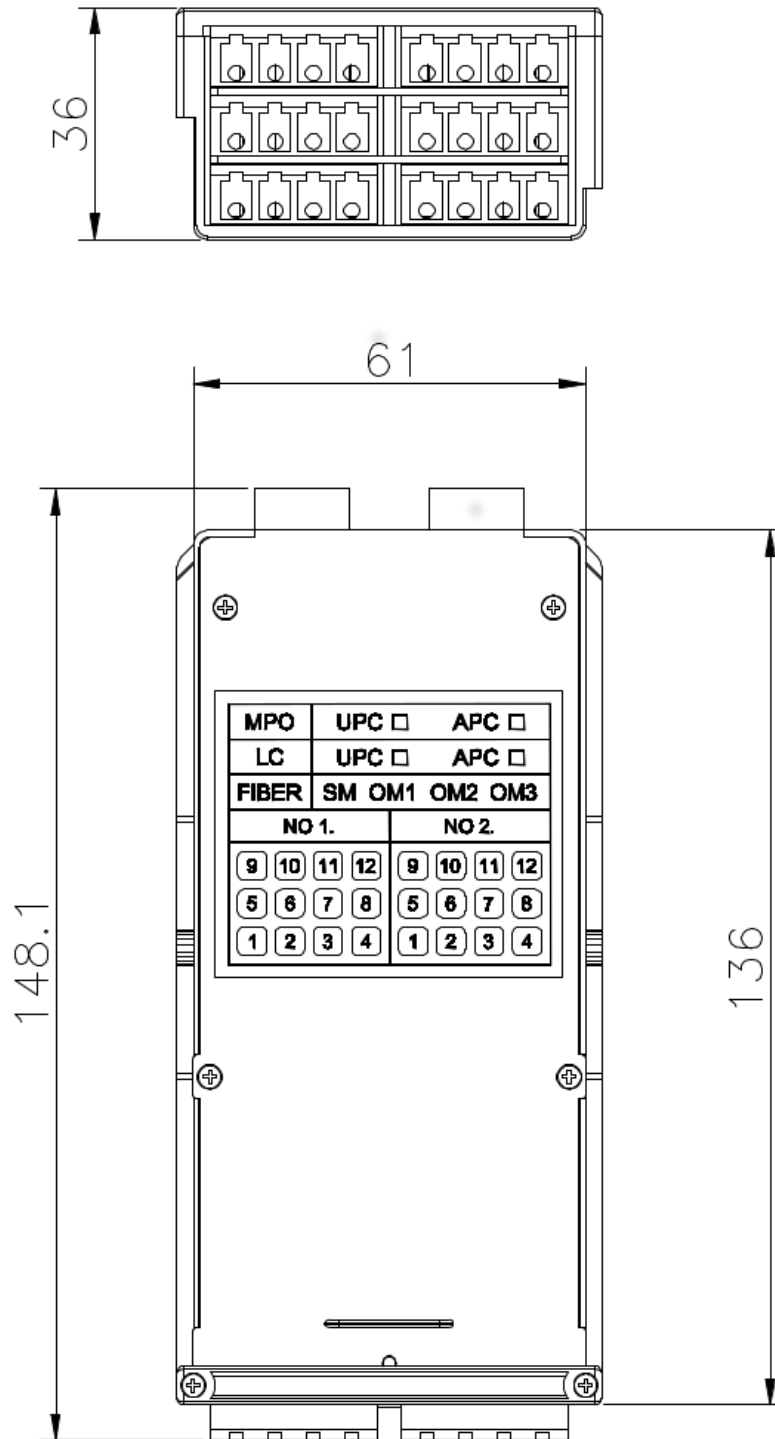
*For polarity B or C please change the last letter of the part numbers above.*

## Technical Drawing

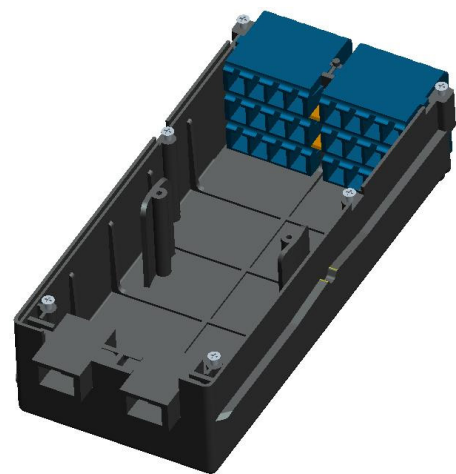
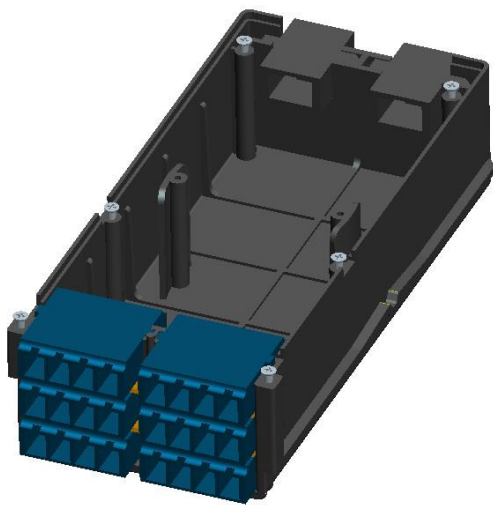
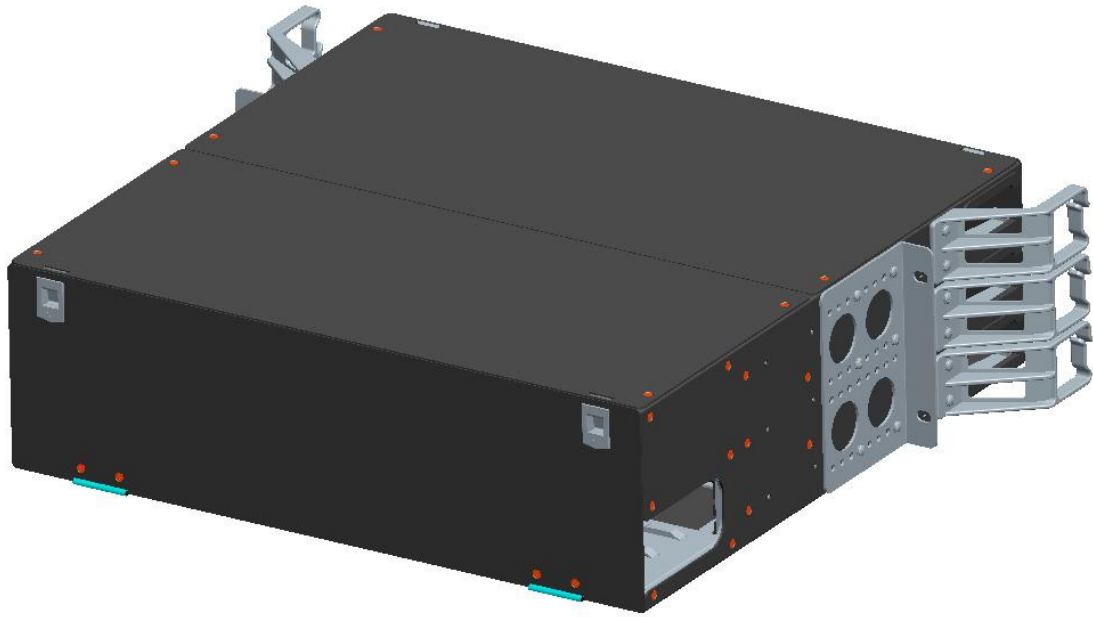
### Patch panel



Cassette Module



## Additional Images



*MTP<sup>®</sup> is a registered trademark of US Conec Ltd.*