

LX2 High Density LGX 4U Patch Panel

An innovative 4U, 19" and 23" rack mountable patch panel, designed for use in high density applications. It offers management of up to 288 fibres using MTP® optical cassettes with 24 fibres each and it's fully compatible with a variety of alternative LGX module options. This panel allows advanced cable management, providing an enhanced cable routing exiting the panel to the left or right and allowing cable assemblies to be routed up and across the front of the panel. When used for fusion splicing it can house up to 144 fibres, using 6 x 24 fibre splice trays and the customer can choose from a wide variety of adaptor loaded LGX plates. The MLX1 LGX MTP® modules which are compatible with LX2 panel are designed for the transition between MTP® and standard LC connectors. They have a small form factor design and LX1 panel can house up to 6 MLX1 modules in 1U height. They come with 12 low loss LC duplex adaptors on the front and 2 MTP® on the back side. They contain 100% factory terminated and tested LC to MTP® fanouts. The combination of LX2 panel and MLX1 cassette modules is an ideal solution for high density applications. Their plug and play design meets all requirements for rapid deployment in high demand data centre environments.

Features

- 4U height
- 19" and 23" rack mountable
- Up to 12 LGX Modules
- Compatible with 24 fibre splice trays
- Up to 288 fibres with MTP® and 144 with standard adaptors
- Aluminium construction
- Compatible with multiple LGX module options (MTP/MPO, adaptors, etc.)

Applications

- Data centres
- Telecommunication networks
- Enterprise Networks
- Central Offices

Specifications

ELEMENT	VALUE
Depth (mm)	354mm
Width (mm)	430mm
Height (mm)	177mm
Rack Units	4
Capacity	12 x LGX type modules

MTP® Connector Performance

CONNECTOR MATING	IL AVERAGE	IL MAX	RETURN LOSS
MTP® Elite (MM)	0.10dB	0.35dB	N/A
MTP® (MM)	0.20dB	0.60dB	N/A
MTP® Elite (SM)	0.10dB	0.35dB	>60dB
MTP® (SM)	0.25dB	0.75dB	>60dB

Standards Compliance

- TIA/EIA-568-C.3 and ISO/IEC 11801 - cable
- IEC-61754-7 & EIA/TIA-604-5 - MTP®
- Compliant to Directive 2002/95/EC (RoHS) and REACH SvHC
- IEC-61754-20 (LC) & IEC-61754-14 (SC)

Ordering Information

DESCRIPTION	PART NUMBER
Datatronix LX2 High Density LGX 4U Patch Panel Unloaded	PPLX2-XX-XX-UL
Splice Tray For 24 Heatshrink Splice Protectors	FMST24-LX2
Blank LGX Plate	PLXBL-2
Empty LGX Plate For 8 x SC Simplex/LC Duplex Adaptors	PLX1-XX-XX-UL
Empty LGX Plate For 12 x SC Simplex/LC Duplex Adaptors	PLX2-XX-XX-UL
Empty LGX Plate For 3 x SC Duplex/LC Quad Adaptors	PLX3-XX-XX-UL
Empty LGX Plate For 6 x SC Duplex/LC Quad Adaptors	PLX4-XX-XX-UL
Empty LGX Plate For 8 x LC Simplex Adaptors	PLX5-XX-XX-UL
Empty LGX Plate For 12 x LC Simplex Adaptors	PLX6-XX-XX-UL
Empty LGX Plate For 8 x ST/FC Simplex Adaptors	PLX7-XX-XX-UL
Empty LGX Plate For 12 x ST/FC Simplex Adaptors	PLX8-XX-XX-UL

LC LGX Plates configuration

DESCRIPTION	PART NUMBER
LGX Plate with 8 x LC Simplex Multimode Beige Adaptors	PLX5-00-21-08
LGX Plate with 8 x LC Simplex Multimode OM3 Aqua Adaptors	PLX5-00-31-08
LGX Plate with 8 x LC Simplex Multimode OM4 Erika Violet Adaptors	PLX5-00-41-08
LGX Plate with 8 x LC Simplex Singlemode Blue Adaptors	PLX5-00-91-08
LGX Plate with 8 x LC Simplex Singlemode APC Green Adaptors	PLX5-00-91-08
LGX Plate with 12 x LC Simplex Multimode Beige Adaptors	PLX6-00-21-12
LGX Plate with 12 x LC Simplex Multimode OM3 Aqua Adaptors	PLX6-00-31-12
LGX Plate with 12 x LC Simplex Multimode OM4 Erika Violet Adaptors	PLX6-00-41-12
LGX Plate with 12 x LC Simplex Singlemode Blue Adaptors	PLX6-00-91-12
LGX Plate with 12 x LC Simplex Singlemode APC Green Adaptors	PLX6-01-91-12
LGX Plate with 8 x LC Duplex Multimode Beige Adaptors	PLX1-00-22-08
LGX Plate with 8 x LC Duplex Multimode OM3 Aqua Adaptors	PLX1-00-32-08
LGX Plate with 8 x LC Duplex Multimode OM4 Erika Violet Adaptors	PLX1-00-42-08
LGX Plate with 8 x LC Duplex Singlemode Blue Adaptors	PLX1-00-92-08

LGX Plate with 8 x LC Duplex Singlemode APC Green Adaptors	PLX1-01-92-08
LGX Plate with 12 x LC Duplex Multimode Beige Adaptors	PLX2-00-22-12
LGX Plate with 12 x LC Duplex Multimode OM3 Aqua Adaptors	PLX2-00-32-12
LGX Plate with 12 x LC Duplex Multimode OM4 Erika Violet Adaptors	PLX2-00-42-12
LGX Plate with 12 x LC Duplex Singlemode Blue Adaptors	PLX2-00-92-12
LGX Plate with 12 x LC Duplex Singlemode APC Green Adaptors	PLX2-01-92-12
LGX Plate with 3 x LC Quad Multimode Beige Adaptors	PLX3-00-24-03
LGX Plate with 3 x LC Quad Multimode OM3 Aqua Adaptors	PLX3-00-34-03
LGX Plate with 3 x LC Quad Multimode OM4 Erika Violet Adaptors	PLX3-00-44-03
LGX Plate with 3 x LC Quad Singlemode Blue Adaptors	PLX3-00-94-03
LGX Plate with 3 x LC Quad Singlemode APC Green Adaptors	PLX3-01-94-03
LGX Plate with 6 x LC Quad Multimode Beige Adaptors	PLX4-00-24-06
LGX Plate with 6 x LC Quad Multimode OM3 Aqua Adaptors	PLX4-00-34-06
LGX Plate with 6 x LC Quad Multimode OM4 Erika Violet Adaptors	PLX4-00-44-06
LGX Plate with 6 x LC Quad Singlemode Blue Adaptors	PLX4-00-94-06
LGX Plate with 6 x LC Quad Singlemode APC Green Adaptors	PLX4-01-94-06

SC LGX Plates configuration

DESCRIPTION	PART NUMBER
LGX Plate with 8 x SC Simplex Multimode Beige Adaptors	PLX1-02-21-08
LGX Plate with 8 x SC Simplex Multimode OM3 Aqua Adaptors	PLX1-02-31-08
LGX Plate with 8 x SC Simplex Multimode OM4 Erika Violet Adaptors	PLX1-02-41-08
LGX Plate with 8 x SC Simplex Singlemode Blue Adaptors	PLX1-02-91-08
LGX Plate with 8 x SC Simplex Singlemode APC Green Adaptors	PLX1-03-91-08
LGX Plate with 12 x SC Simplex Multimode Beige Adaptors	PLX2-02-21-12
LGX Plate with 12 x SC Simplex Multimode OM3 Aqua Adaptors	PLX2-02-31-12
LGX Plate with 12 x SC Simplex Multimode OM4 Erika Violet Adaptors	PLX2-02-41-12
LGX Plate with 12 x SC Simplex Singlemode Blue Adaptors	PLX2-02-91-12
LGX Plate with 12 x SC Simplex Singlemode APC Green Adaptors	PLX2-03-91-12
LGX Plate with 3 x SC Duplex Multimode Beige Adaptors	PLX3-02-22-03
LGX Plate with 3 x SC Duplex Multimode OM3 Aqua Adaptors	PLX3-02-32-03
LGX Plate with 3 x SC Duplex Multimode OM4 Erika Violet Adaptors	PLX3-02-42-03

LGX Plate with 3 x SC Duplex Singlemode Blue Adaptors	PLX3-02-92-03
LGX Plate with 3 x SC Duplex Singlemode APC Green Adaptors	PLX3-03-92-03
LGX Plate with 6 x SC Duplex Multimode Beige Adaptors	PLX4-02-22-06
LGX Plate with 6 x SC Duplex Multimode OM3 Aqua Adaptors	PLX4-02-32-06
LGX Plate with 6 x SC Duplex Multimode OM4 Erika Violet Adaptors	PLX4-02-42-06
LGX Plate with 6 x SC Duplex Singlemode Blue Adaptors	PLX4-02-92-06
LGX Plate with 6 x SC Duplex Singlemode APC Green Adaptors	PLX4-03-92-06

FC LGX Plates configuration

DESCRIPTION	PART NUMBER
LGX Plate with 8 x FC Simplex Multimode Adaptors	PLX7-05-21-08
LGX Plate with 8 x FC Simplex Singlemode Adaptors	PLX7-05-91-08
LGX Plate with 8 x FC Simplex Singlemode APC Adaptors	PLX7-06-91-08
LGX Plate with 12 x FC Simplex Multimode Adaptors	PLX8-05-21-12
LGX Plate with 12 x FC Simplex Singlemode Adaptors	PLX8-05-91-12
LGX Plate with 12 x FC Simplex Singlemode APC Adaptors	PLX8-06-91-12

ST LGX Plates configuration

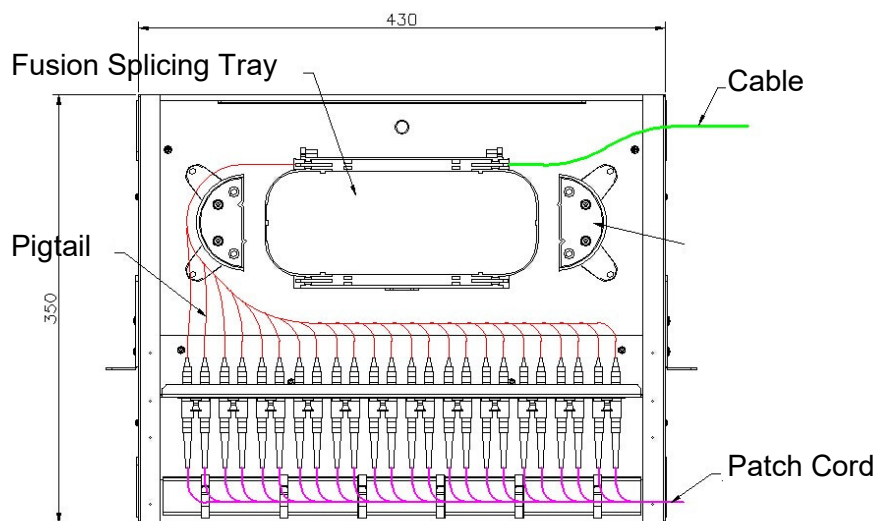
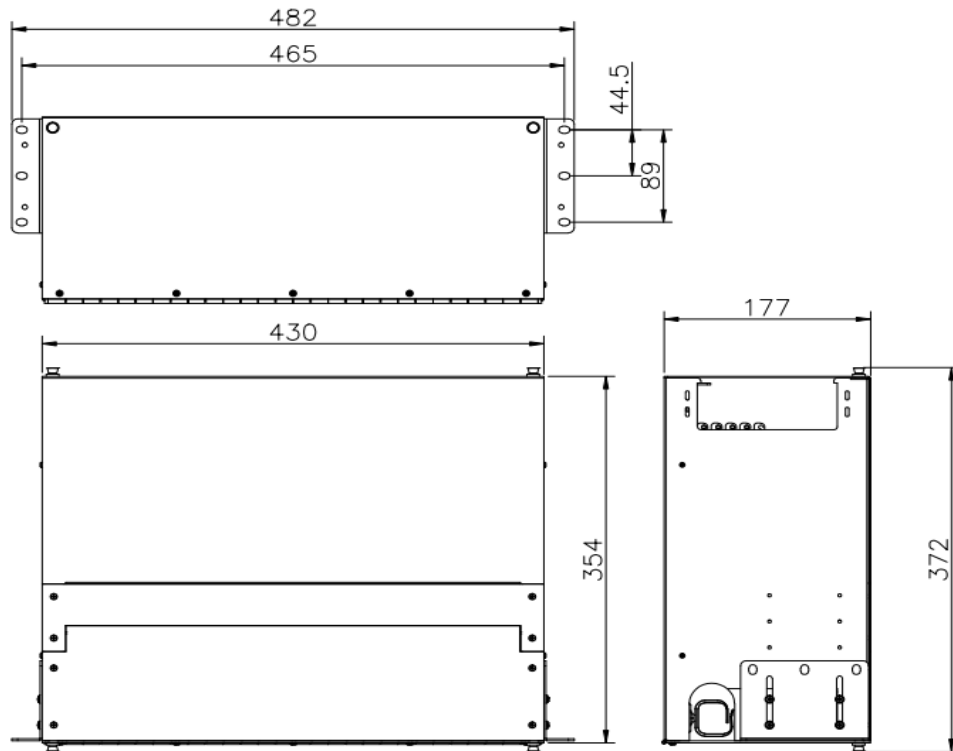
DESCRIPTION	PART NUMBER
LGX Plate with 8 x ST Simplex Multimode Adaptors	PLX7-04-21-08
LGX Plate with 8 x ST Simplex Singlemode Adaptors	PLX7-04-91-08
LGX Plate with 12 x ST Simplex Multimode Adaptors	PLX8-04-21-12
LGX Plate with 12 x ST Simplex Singlemode Adaptors	PLX8-04-91-12

MLX1 MTP® Cassette Module

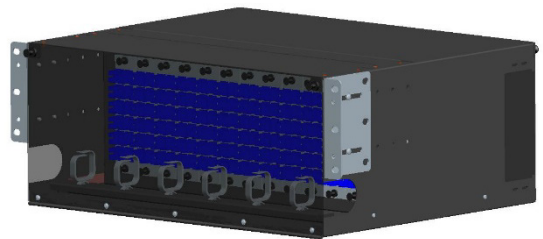
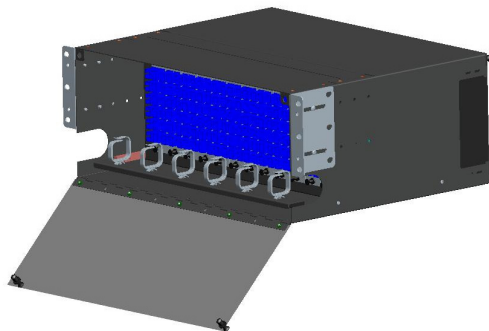
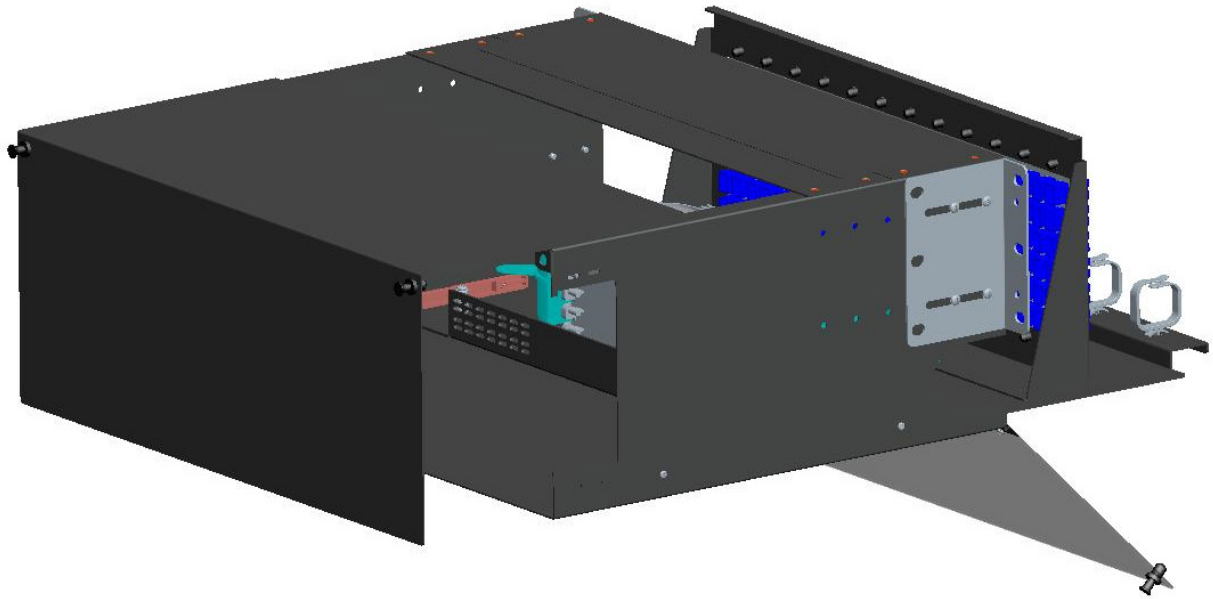
DESCRIPTION	PART NUMBER
Datatronix LC to MTP® Male MLX3 LGX Cassette Module with 12 LC Duplex OM3 Aqua Adaptors Polarity A	MLX1-20003212-A
Datatronix LC to MTP® Male Elite MLX1 LGX Cassette Module with 12 LC Duplex OM3 Aqua Adaptors Polarity A	MLX1-24003212-A
Datatronix LC to MTP® Male MLX1 LGX Cassette Module with 12 LC DuplexOM4 Erika Violet Adaptors Polarity A	MLX1-20004212-A
Datatronix LC to MTP® Male Elite MLX1 LGX Cassette Module with 12 LC DuplexOM4 Erika Violet Adaptors Polarity A	MLX1-24004212-A
Datatronix LC to MTP® Male MLX1 LGX Cassette Module with 12 LC Duplex SM Blue Adaptors Polarity A	MLX1-20009212-A
Datatronix LC to MTP® Male Elite MLX1 LGX Cassette Module with 12 LC Duplex SM Blue Adaptors Polarity A	MLX1-24009212-A
Datatronix LC to MTP® Male MLX1 LGX Cassette Module with 12 LC Duplex SM APC Green Adaptors Polarity A	MLX1-20019212-A
Datatronix LC to MTP® Male Elite MLX1 LGX Cassette Module with 12 LC Duplex SM Green Adaptors Polarity A	MLX1-24019212-A

For polarity B or C please change the last letter of the part numbers above.

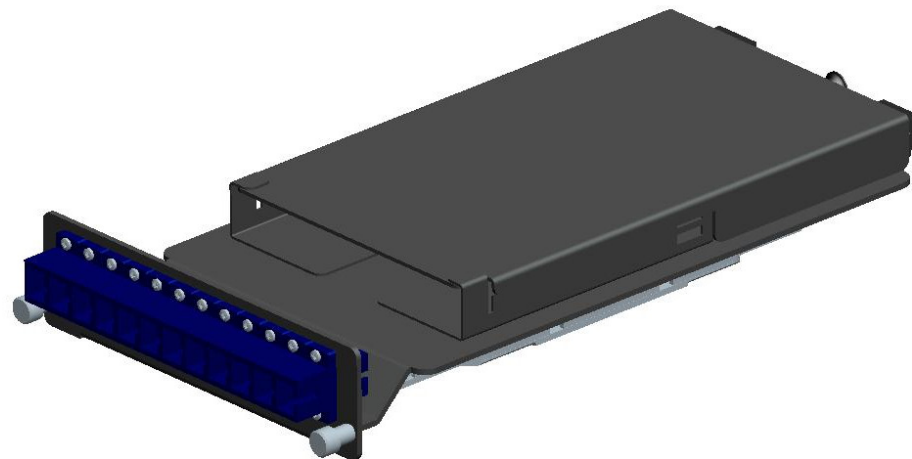
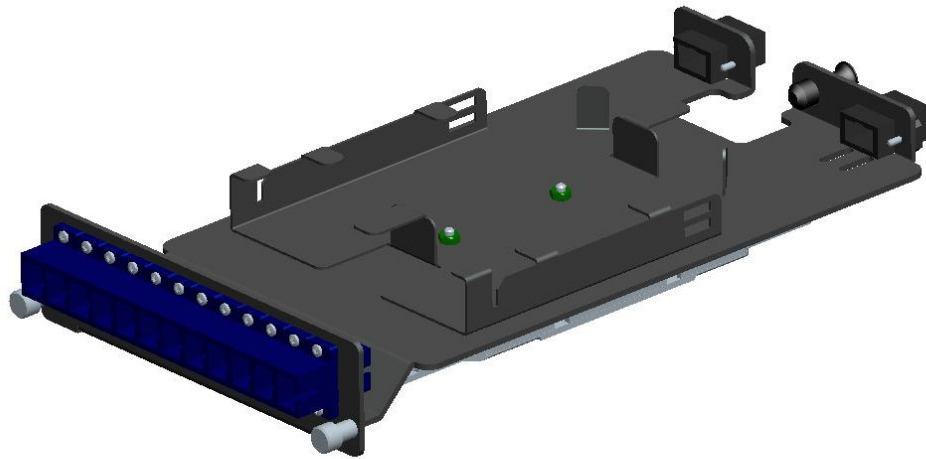
Technical Drawing



Additional Images



MTP[®] LGX Cassette Module



MTP[®] is a registered trademark of US Conec Ltd