



TB6 8 Fibre Indoor FTTH Termination Box

This termination box is a compact fibre terminal designed for use at the final fibre termination point in the customer premises. It provides mechanical protection and managed fibre control in an attractive format suitable for use inside customer premises. A variety of possible fibre termination techniques are accommodated.

The termination box is designed for use in residential and business FTTH applications for the termination of up to four fibres. The designed wall box enables the installation of 4 SC Simplex (PC or APC) or LC Duplex (PC or APC) adaptors. The unit can be quickly installed within an office, house or communication room environment.

Applications

- FTTH
- Telecommunication subscriber loop
- LAN/WAN

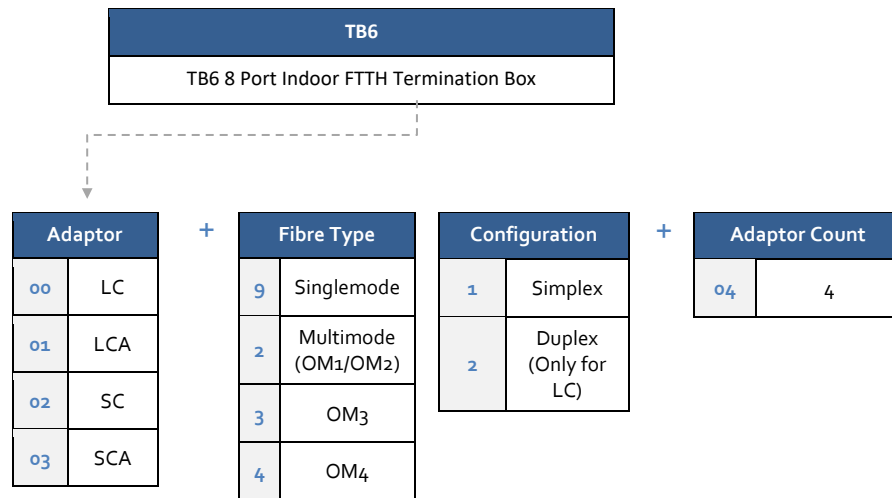
Features

- Up to 8 fibres
- Available with LC, SC adaptors
- Nice shape and structure
- Splicing to factory-terminated pigtails
- Protects and manages cable effectively
- Standard size, light weight
- High quality material
- Can be wall mounted
- Attractive design for indoor use
- Easy to operate
- Splice cable to cable
- Positive fibre management

Specifications

ELEMENT	VALUE
Height	100mm
Width	85mm
Depth	29mm
Suitable for Adaptor Type	SC Simplex or LC Duplex
Number of ports	4
Material	ABS
Operating Temperature	-40°C to +60°C
Designed in accordance with	TIA/EIA 568.C, ISO/IEC 11801, EN50173, IEC60304, IEC61754
Compliant to	RoHS, Reach/SVHC

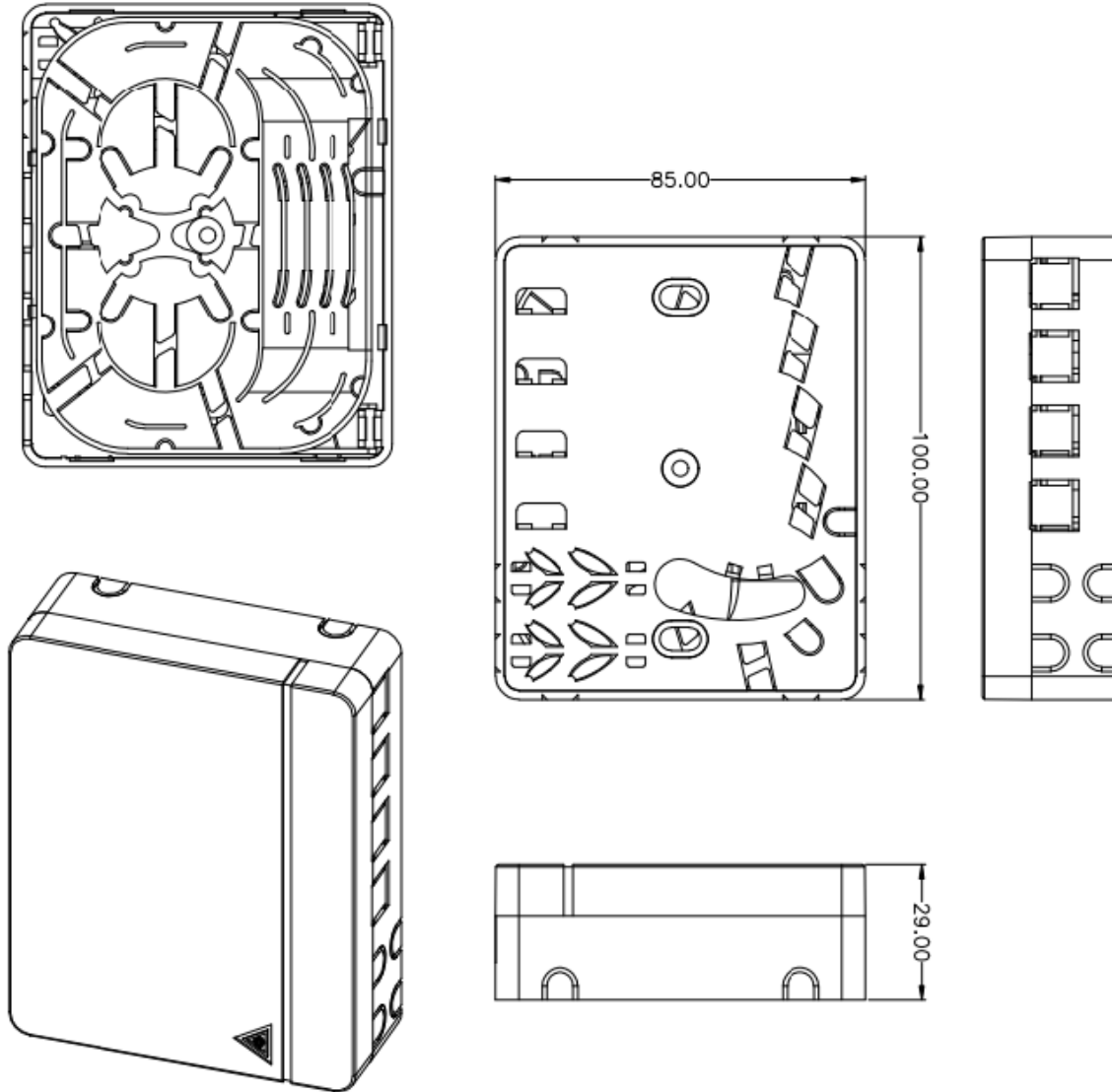
Ordering Information



Example:

TB6-03-91-02 – TB6 Indoor Termination Box Loaded With 4 SC/APC Simplex Adaptors
TB6-XX-XX-UL – TB6 Indoor Termination Box Unloaded

Technical Drawing



Additional Images

