

MTP® (40G QSFP+) to 4 x Duplex LC (4x10G SFP+) Assemblies

40G ruggedized MTP® (QSFP+) to 4 x 10G duplex LC (SFP+) fanout assemblies, designed and manufactured for use with 40G parallel optics transceivers (40GBASE-SR4). The existing parallel transceivers use 8 out of the 12 MTP® fibres, transmitting to 4 duplex LC terminated fibres.

Applications

- 40GBASE-SR4 to 4x10GBASE-SR
- Data Centres
- Parallel Optics applications
- Storage Area Networks (SAN)

Features

- Low loss performance using premium connectors and high quality cable
- Compact breakout module
- Available with OM3, OM4, OS1/2, fibres
- Available with LSZH, OFNP, OFNR cable jacket types
- Female MTP® connectors for direct connection into QSFP+ transceiver
- 100 % Factory terminated and tested
- Saves installation and reconfiguration time
- 4 x 2mm Tails Uniboot duplex version option for improved cable management
- Option for 3mm OD Patch/ 4.5mm OD Trunk Micro Cables
- Reliability 100% tested - combination of high quality components and manufacturing quality control guarantees product to the highest standards

Specifications

ELEMENT	CHARACTERISTIC
Fibre	OM3, OM4, OS1/OS2 G.657A1
Cable	MicroCable- 8 cores MAX OD: Max OD 8 cores Trunk Double Jacket $4.5 \pm 0.3\text{mm}$ Max OD 8 cores Patch Single Jacket $2.95 \pm 0.1\text{mm}$ Jacket Material: LSZH, OFNP, OFNR Jacket Color: Aqua (OM3, OM4), Erica Violet (OM4), Yellow (OS1/OS2, G.657A1)
Connectors	MTP® US Conec 12Fibre Ferrule Body Sleeve Color: MM (Beige), MM Elite (Aqua), SM (Green), SM Elite (Yellow), Boot Color: BlackLC (DX), LC (DX) Uniboot Housing Color: Beige (MM Standard), AQUA (MM Low Loss Premium), Blue (SM), Green (SM/APC)
Storage Temperature	-20 ~ +60°C
Installation Temperature	-5 ~ +50°C
Operation Temperature	-20 ~ +60°C

Connector Performance

CONNECTOR MATING	IL AVERAGE	IL MAX	RETURN LOSS
MTP® Elite (MM)	0.10dB	0.35dB	N/A
MTP® (MM)	0.20dB	0.60dB	N/A
MTP® ELITE (SM)	0.10dB	0.35dB	N/A
LC, SC (MM)	0.15dB**	0.30dB**	N/A
LC, SC Premium (MM)	0.08dB**	0.15dB**	N/A
MTP® Low Loss Elite (SM)	0.10dB	0.35dB	>60dB
MTP® (SM)	0.25dB	0.75dB	>60dB
LC, SC (SM)	0.18dB**	0.30dB**	>55/65dB*
LC, SC Low Loss Premium (SM)	0.12dB**	0.15dB**	>55/65dB*

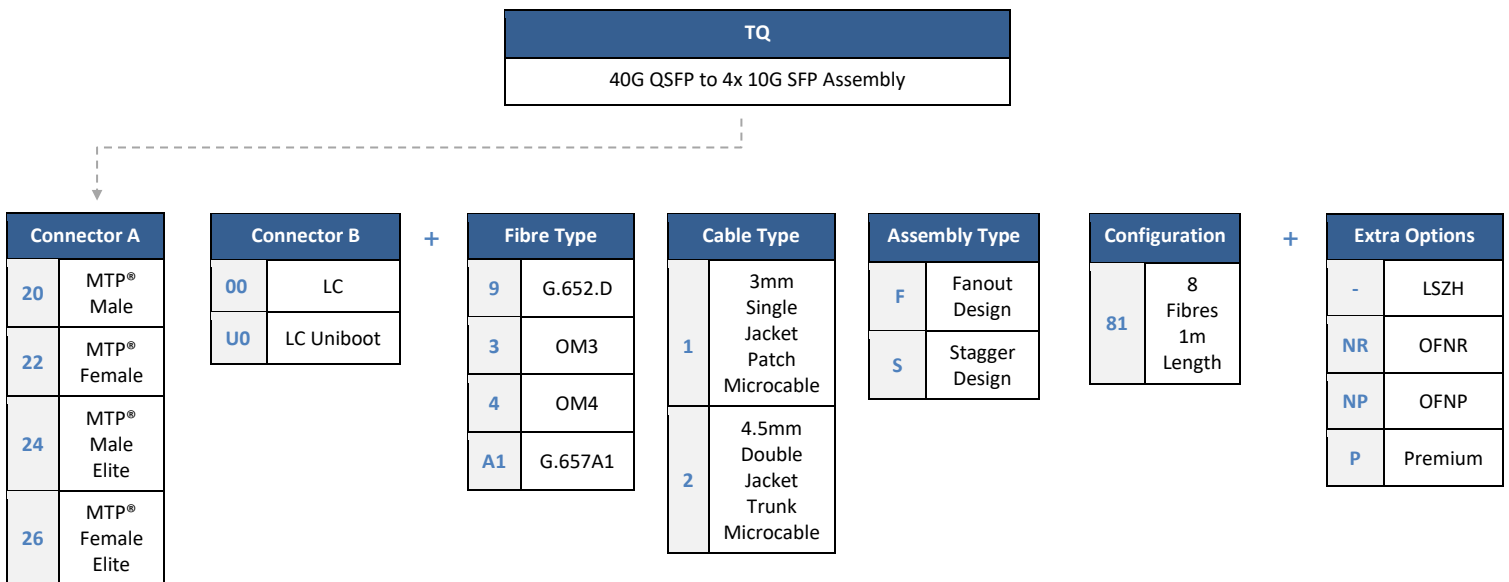
* UPC/APC ** Tested as per IEC 61300-3-4 Cable Performance

FIBRETYPE (ISO/IEC 11801)	OS1/OS2	OM3	OM4
Attenuation Coefficient [dB/km]	≤ 0.38 Max (1300nm) ≤ 0.25 Max (1300nm) ≤ 0.34 Typ (1550nm) ≤ 0.19 Typ (1550nm)	≤ 0.35 Max (850nm) ≤ 0.25 Max (1300nm) ≤ 2.7 Typ (850nm) ≤ 0.9 Typ (1300nm)	≤ 0.35 Max (850nm) \leq 0.25 Max (1300nm) ≤ 2.7 Typ (850nm) ≤ 0.9 Typ (1300nm)
Minimum Bandwidth: Overfilled Launch [Mhz-km]	N/A	≥ 1500 (850nm) ≥ 500 (1300nm)	≥ 3500 (850nm) ≥ 500 (1300nm)
Minimum Bandwidth: Laser Effective Modal Bandwidth [Mhz-km]	N/A	≥ 2000 (850nm)	≥ 4700 (850nm)

Standards Compliance

- TIA/EIA-568-C.3 and ISO/IEC 11801
- IEC-61754-7 & EIA/TIA-604-5
- NFPA 262 or IEC 60332
- IEC-61754-20 & IEC-61754-14
- Compliant to Directive 2002/95/EC (RoHS) & REACH SvHC
- IEC-60793

Ordering Information

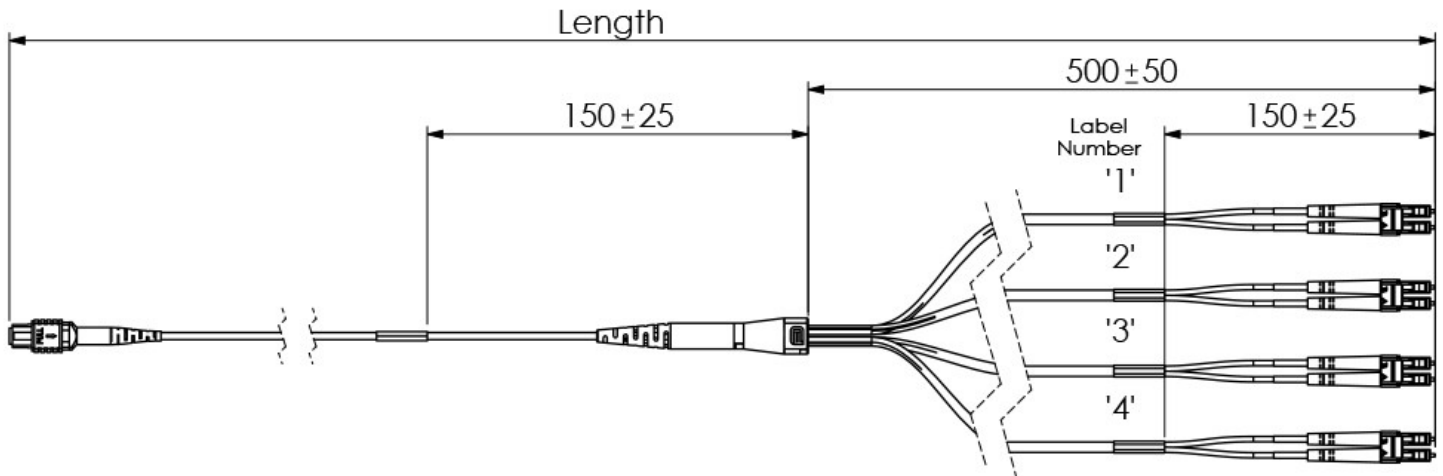


Example:

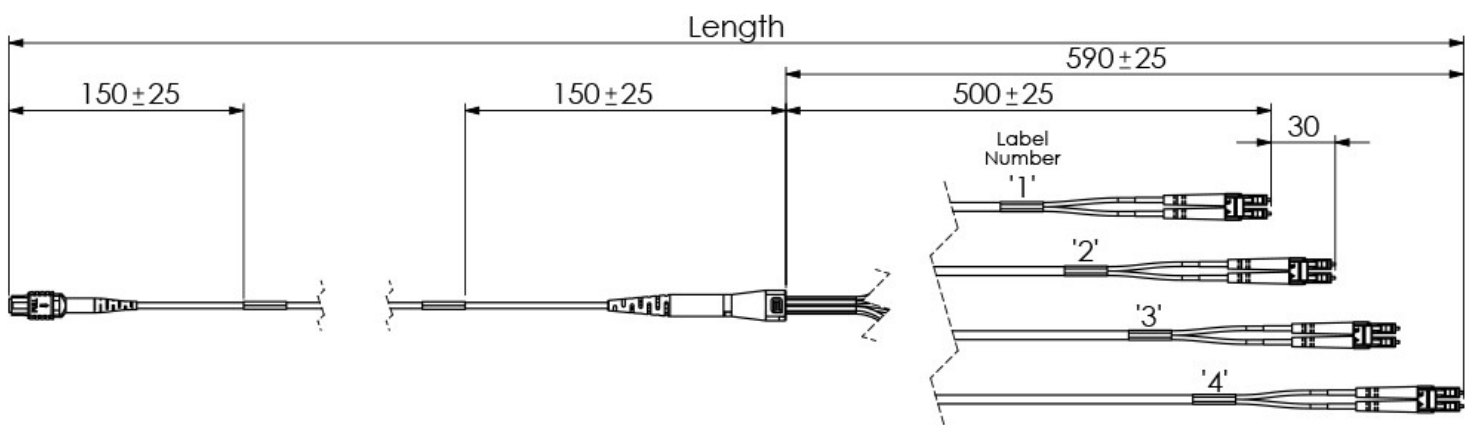
TQ-22U0-41F81 - Assembly 8 Fibres MTP female to LC/UPC Uniboot OM4 3mm Patch MicroCable LSZH Fanout design 1m

Technical Drawing

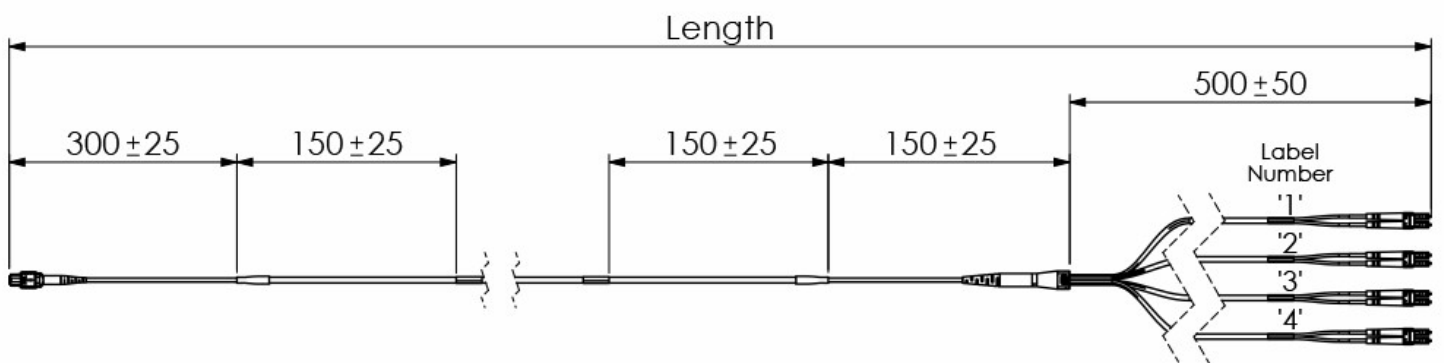
QSFP+ to SFP+ MTP to LC (DX) Patch 3mm OD Fanout

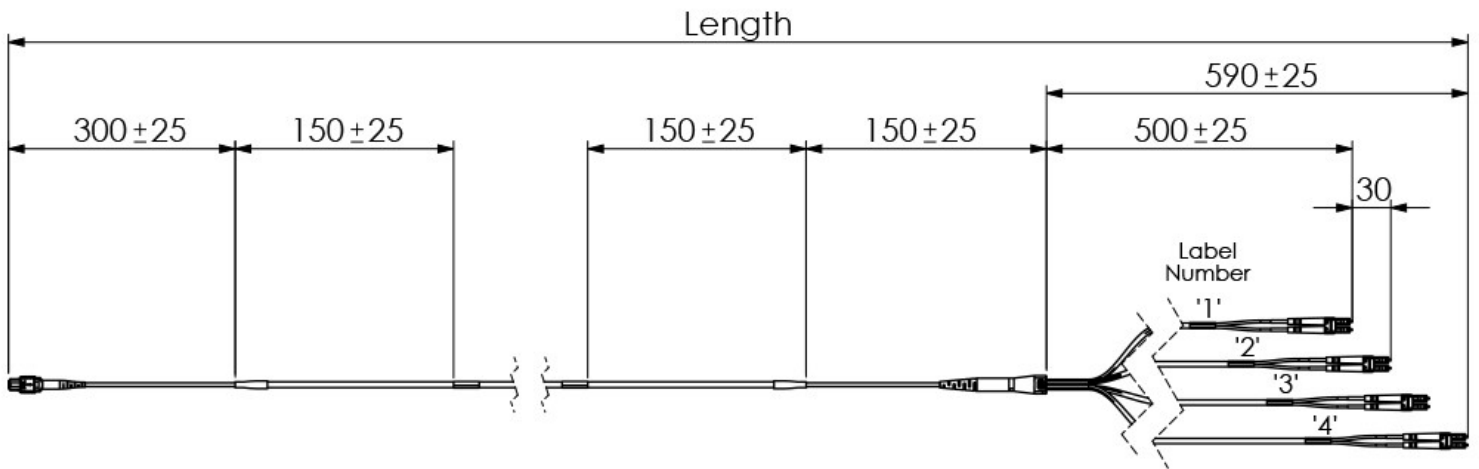


QSFP+to SFP+ MTP to LC (DX) Patch 3mm OD Stagger

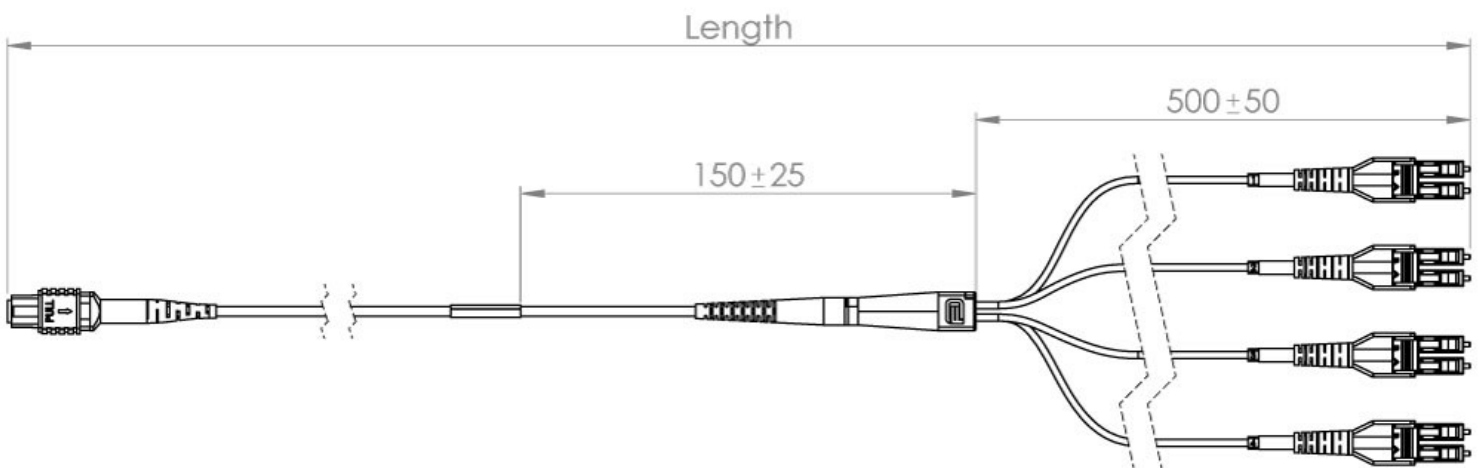


QSFP+ to SFP+ MTP to LC (DX) Trunk 4.5mm OD Fanout

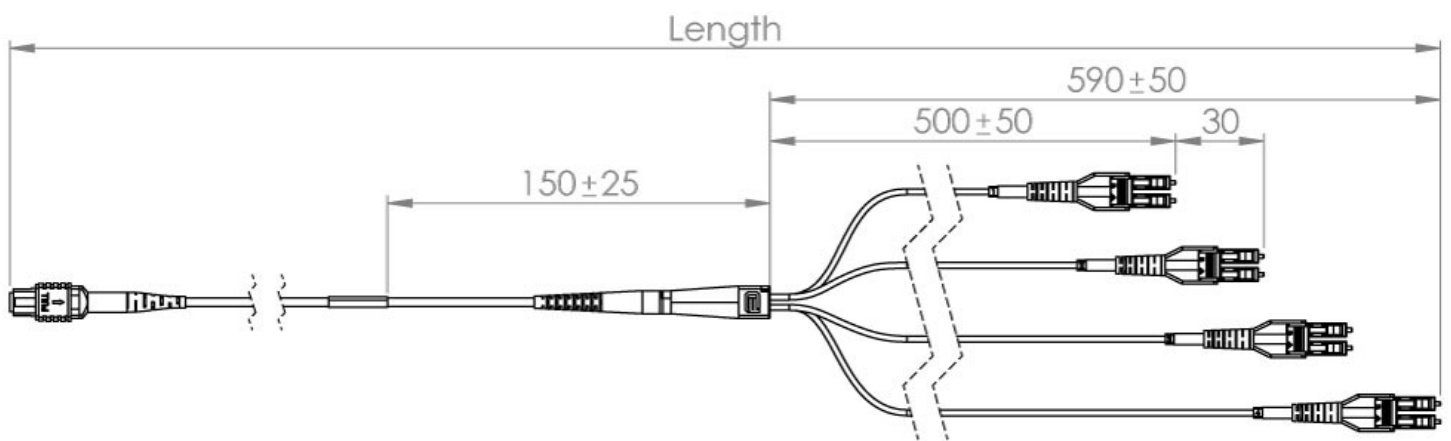




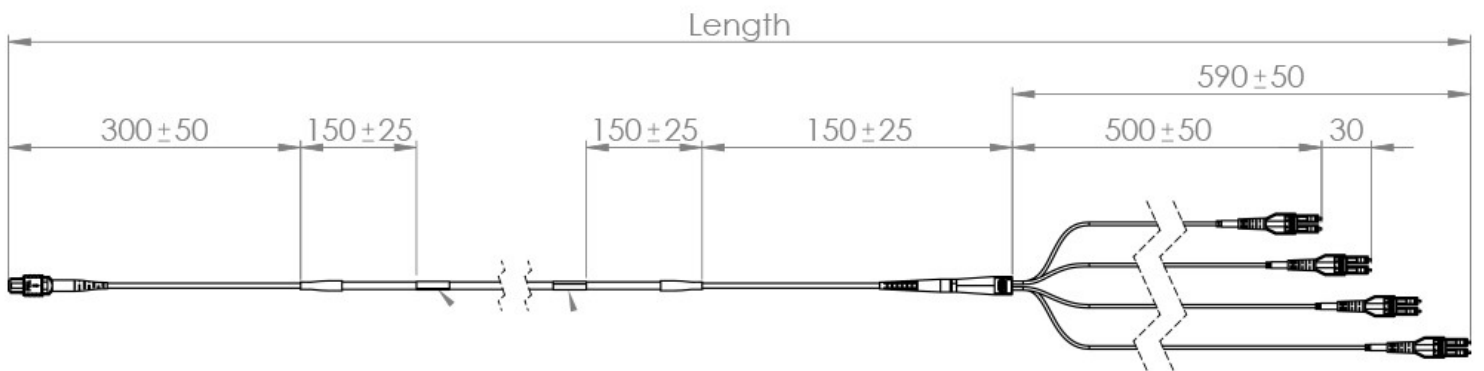
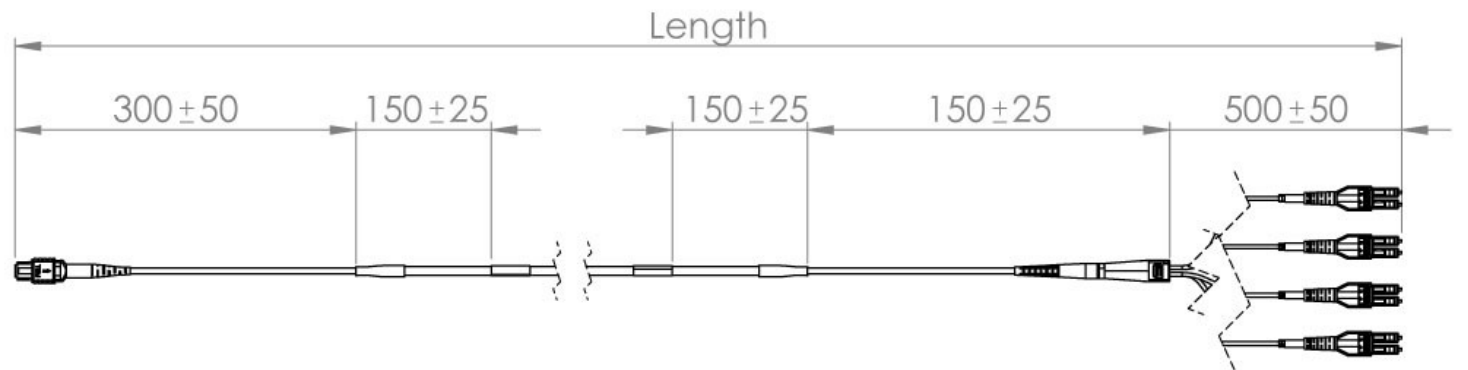
QSFP+ to SFP+ MTP to LC (UNI) Patch 3mm OD Fanout



QSFP+ to SFP+ MTP to LC (UNI) Patch 3mm OD Stagger



QSFP+ to SFP+ MTP to LC (UNI) Trunk 4.5mm OD Fanout



MTP® is a registered trademark of US Conec Ltd.