

MTP® MicroCable Fan-Out Assemblies

12 to 144 fibre MTP® to LC or SC fan-out assemblies designed and manufactured for the interconnection of MTP® cassettes and panels with active equipment ports. They are manufactured using a compact ruggedized micro cable and they are an ideal solution for high density applications with high demands for advanced cable management and optimized airflow.

Applications

- Data Centres
- Storage Area Network - Fibre Channel

Features

- 12 fibre MTP® connector in male or female version
- Available with OS1/2, OM3, OM4 fibres – OM1/OM2 available upon request
- 12 x Cores single jacket Micro Cable 3mm OD Patch/ double jacket Micro Cable 4.5mm OD Trunk version
- Multi subunit 24, 48, 72, 96, 144 cores Micro Cable versions are available
- Available with LSZH, OFNP or OFNR jacket
- Available with LC or SC tails
- 100% factory terminated and tested
- Low loss performance using MTP® elite and high quality LC or SC connectors
- Ideal for high density applications
- Saves installation and reconfiguration time

Specifications

ELEMENT	CHARACTERISTIC
Fibre	OS1/OS2, G.657A1, OM3, OM4
Tail Dimensions	2mm Simplex Tails Fanout, 2mm Duplex Tails Fanout
MTP® Connectors	MTP® 12 Fibre Ferrules US Conec, Boot Colour: Black, Body Sleeve Colour: MM (Beige), MM Elite (Aqua), SM (Green), SM Elite (Yellow)
Other Terminations	LC, SC, LC/APC, SC/APC
Cable Diameter	12 Core Trunk Double Jacket OD MAX: 4.5 ± 0.3mm, 24 Core OD MAX: 4.5 ± 0.3mm, 48 cores OD MAX: 9.7 ± 0.3mm
Crush Resistance	1000N/100mm
Cable Tensile Strength	Up to 24 Core (Short/Long) 400N/160N, Up to 48 Core (Short/Long) 1000N/300N
Cable Strength Member	Aramid
Storage Temperature	-20 ~ +60°C
Installation Temperature	-5 ~ +50°C
Operating Temperature	-20 ~ +60°C

Connector Performance

CONNECTOR MATING	IL AVERAGE	IL MAX	RETURN LOSS
MTP® Elite (MM)	0.10dB	0.35dB	N/A
MTP® (MM)	0.20dB	0.60dB	N/A
MTP® Elite (SM)	0.10dB	0.35dB	>60dB
MTP® (SM)	0.25dB	0.75dB	>60dB

OPTICAL PERFORMANCE*	MM PREMIUM	MM STANDARD	SM PREMIUM	SM STANDARD	CONFORMANCE
IL Max/Master (Acceptance)	0.15dB	0.25dB	0.15dB	0.25dB	IEC 61300-3-4
Ave/Master	0.08dB	0.15dB	0.12dB	0.18dB	IEC 61300-3-4
Ave/Random	0.10dB	0.20dB	0.12dB	0.18dB	IEC61300-3-34
RL (Min Acceptance)	NA	NA	55/65**	55/65**	IEC61300-3-6

* Connector Performance table does not refer to E2A terminations ** UPC/APC

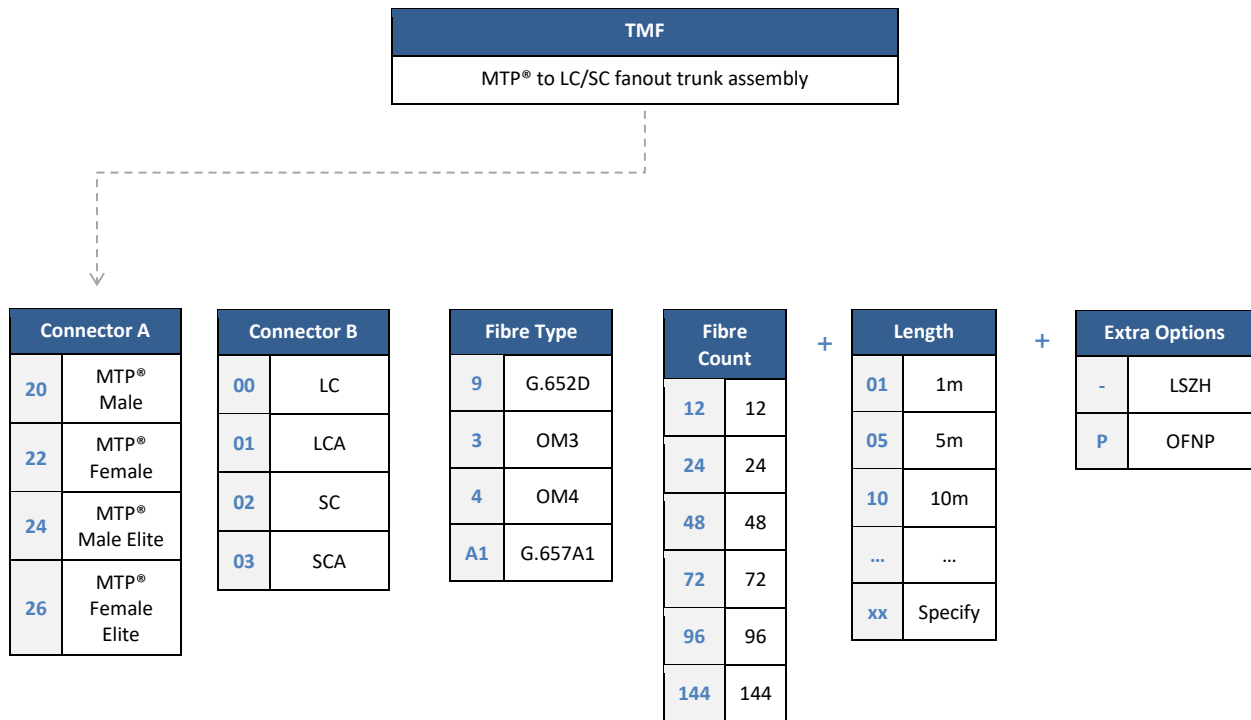
Cable Performance

FIBRETYPE (ISO/IEC 11801)	OS1/OS2	OM1	OM2	OM3	OM4
Attenuation Coefficient [dB/km]	≤ 0.38 Max (1300nm)	≤ 3.5 Max (850nm)	≤ 3.5 Max (850nm)	≤ 3.5 Max (850nm)	≤ 3.5 Max (850nm)
	≤ 0.25 Max (1300nm)	≤ 1.5 Max (1300nm)	≤ 1.5 Max (1300nm)	≤ 1.5 Max (1300nm)	≤ 1.5 Max (1300nm)
	≤ 0.34 Typ (1550nm)	≤ 2.9 Typ (850nm)	≤ 2.7 Typ (850nm)	≤ 2.7 Typ (850nm)	≤ 2.7 Typ (850nm)
	≤ 0.19 Typ (1550nm)	≤ 1.2 Typ (1300nm)	≤ 0.9 Typ (1300nm)	≤ 0.9 Typ (1300nm)	≤ 0.9 Typ (1300nm)
Minimum Bandwidth: Overfilled Launch [Mhz-km]	N/A	≥ 200 (850nm)	≥ 500 (850nm)	≥ 1500 (850nm)	≥ 3500 (850nm)
		≥ 500 (1300nm)	≥ 500 (1300nm)	≥ 500 (1300nm)	≥ 500 (1300nm)
Minimum Bandwidth: Laser Effective Modal Bandwidth [Mhz-km]	N/A	N/A	N/A	≥ 2000 (850nm)	≥ 4700 (850nm)

Standards Compliance

- TIA/EIA-568-C.3 and ISO/IEC 11801
- IEC-61754-7 & EIA/TIA-604-5
- NFPA 262 or IEC 60332
- IEC-61754-20 & IEC-61754-14
- Compliant to Directive 2002/95/EC (RoHS) & REACH SvHC
- IEC-60793

Ordering Information

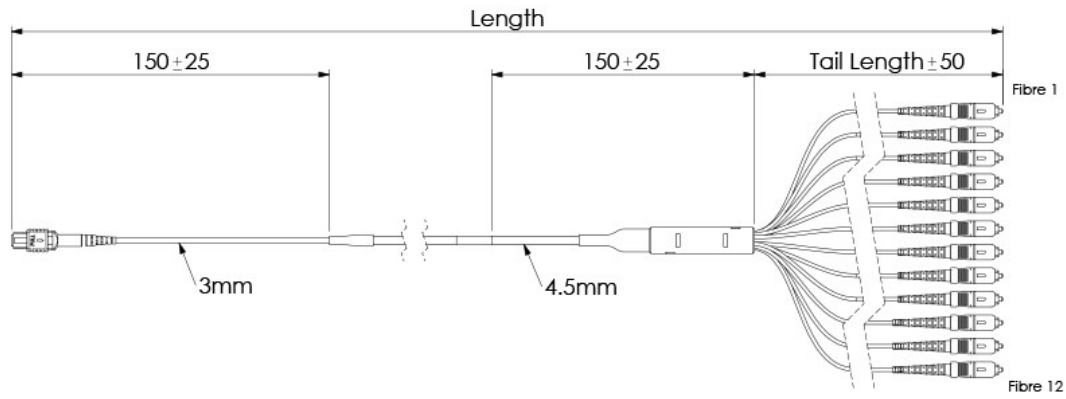


Example:

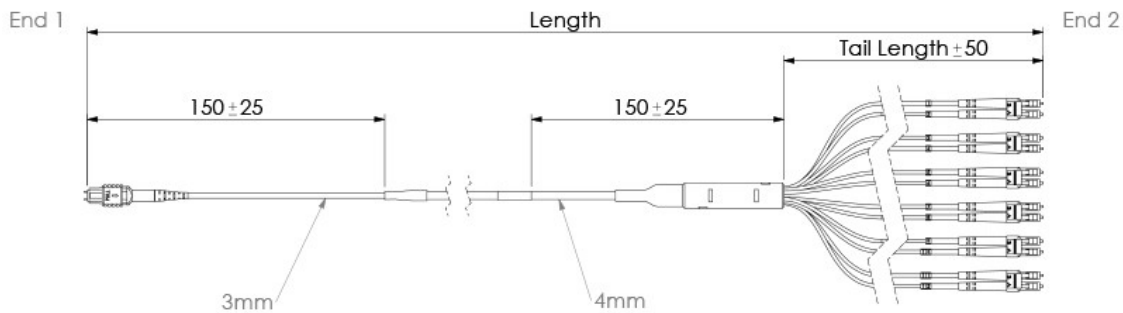
TMF-2000312-70 – MTP® male to 12 LC/UPC fanout 1 trunk OM3 70m

Technical Drawing

MicroCable MTP Fanout 4.5mm OD Trunk Double Jacket Simplex Tails



MicroCable MTP Fanout 4.5mm OD Trunk Double Jacket Duplex Tails 1 to B



MicroCable MTP Fanout 4.5mm OD Trunk Double Jacket Duplex Tails 1 to A

