

LC Uniboot Patch Cords

LC Uniboot high performance patch cords are especially designed and manufactured for better airflow and cable management in high density applications. The connector uniboot design in combination with the use of round duplex LSZH, plenum or riser cable, reduces cable management up to 70% comparing to a standard patch cord solution.

Applications

- Data centres
- Telecommunication networks
- High density applications
- Application where air flow within the rack is important

Features

- Offered with uniboot connector
- Available with LSZH, Plenum and Riser rated duplex cable in 2.4mm or 3mm
- Improved cable management
- Improved air flow
- Available various cable types and lengths

Specifications

Connector Specification

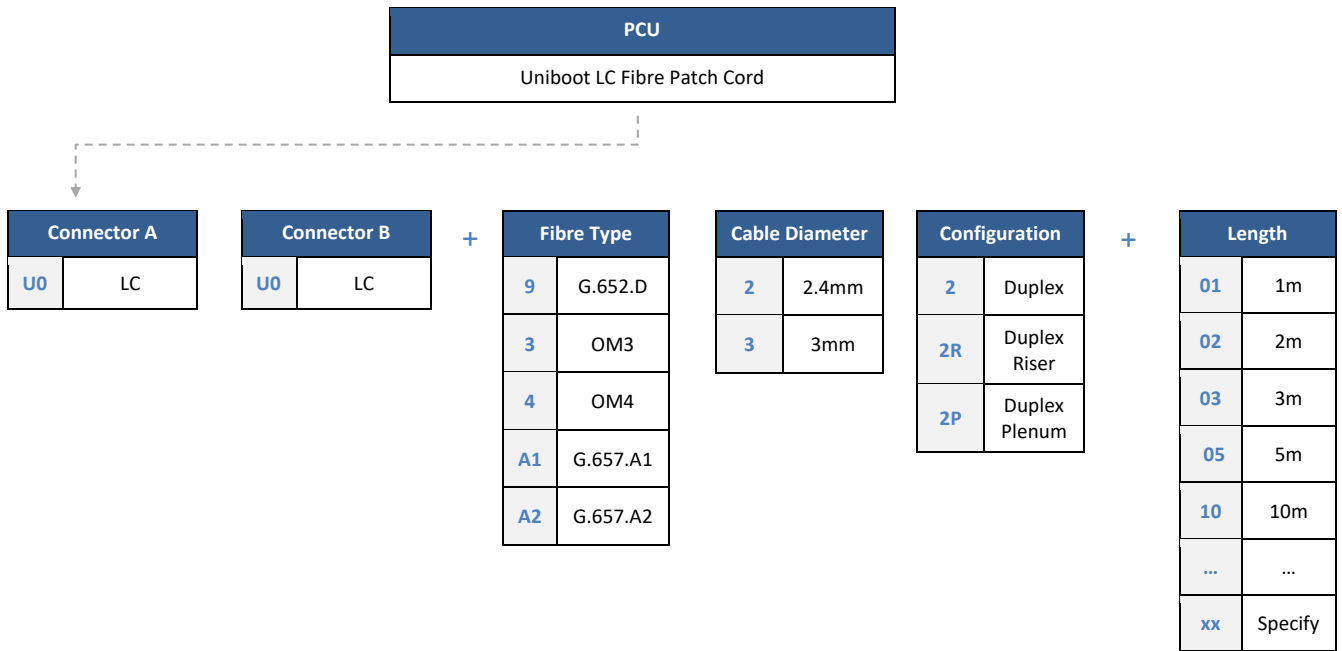
OPTICAL PERFORMANCE – STANDARD	SM	MM	CONFORMANCE
Insertion Loss (MAX/MASTER)	0.25dB	0.25dB	IEC 61300-3-4
Ave/Master	0.18dB	0.15dB	IEC 61300-3-4
Ave/Random	0.18dB	0.20dB	IEC 61300-3-34

OPTICAL PERFORMANCE – LOW LOSS PREMIUM	SM	MM	CONFORMANCE
Insertion Loss (MAX/MASTER)	0.15dB	0.15dB	IEC 61300-3-4
Ave/Master	0.12dB	0.08dB	IEC 61300-3-4
Ave/Random	0.12dB	0.10dB	IEC 61300-3-34

Cable Specification

CHARACTERISTICS	UNITS	3mm ROUND DUPLEX	2.4mm ROUND DUPLEX
Cable Material		LSZH	LSZH
Strength Member		Aramid	Aramid
Crush	N/100mm	1000	1000
Operating Temperature	°C	-20 to +60	-20 to +60
Secondary Buffer Diameter	µm	900+/-50	600+/-50
Minimum Bending Radius	mm	10D (installed) 20D (loaded)	10D (installed) 20D (loaded)

Ordering Information



Example:

PCU-U0U0-422-15 – Patch Cord LC/UPC Uniboot – LC/UPC Uniboot OM4 Duplex 2.4mm LSZH 15m